

DESIGN FEATURES

- **Self Aligning**
Compensates for irregular shaft end play and run-out, seal face wear and equipment tolerances, leading to improved service life.
- **Robust & Compact Design**
Full convolution rubber bellows with stainless steel housing and interchangeable seal face. Supplied completely assembled for easy installation in confined spaces.
- **Non-Clogging Single Coil Spring**
Provides greater reliability than multi spring designs, preventing the build-up of solids & decreasing the chances of seal hang-up.

APPLICATIONS

- Recommended for applications where stuffing box space and gland depth is limited.
- Used in high performance / high pressure general services applications.
- Suitable for almost all Sectors of Industry: e.g. Waste Water Industry, Food & Beverage Industry & Chemical Industry.

OPERATING CONDITIONS

- **Pressure**
≤ 40 Bar. (580 psi)
- **Temperature**
- 40°C ~ 204°C
- **Shaft Speed**
≤ 13m/sec

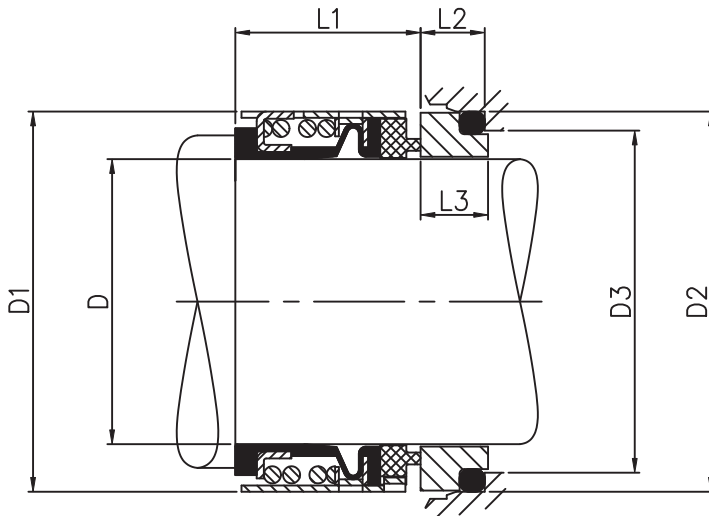
MATERIAL OPTIONS

- **Retainer/Spring**
302 SS / 304 SS /316 SS
- **Rotary Face**
Carbon & Silicon Carbide
- **Stationary Face**
Ceramic, 316 SS, Ni-Resist & Silicon Carbide
- **Elastomers**
Viton & Ethylene Propylene (EP)

SIZE RANGE

- **Metric Shaft Size**
20mm ~ 75mm





G2 Dimensions

SHAFT SIZE	D	D1	D2	D3	L1	L2
20mm	20.00	34.0	35.00	29.0	24.0	13.5
22mm	22.00	36.0	37.00	31.0	24.0	13.5
24mm	24.00	38.0	39.00	33.0	26.7	13.5
25mm	25.00	39.0	40.00	34.0	27.0	13.0
28mm	28.00	42.0	43.00	37.0	30.0	12.5
30mm	30.00	44.0	45.00	39.0	30.5	12.0
32mm	32.00	46.0	48.00	42.0	30.5	12.0
33mm	33.00	47.0	48.00	42.0	30.5	12.0
35mm	35.00	49.0	50.00	44.0	30.5	12.0
38mm	38.00	54.0	56.00	49.0	32.0	13.0
40mm	40.00	56.0	58.00	51.0	32.0	13.0
43mm	43.00	59.0	61.00	54.0	32.0	13.0
45mm	45.00	61.0	63.00	56.0	32.0	13.0
48mm	48.00	64.0	66.00	59.0	32.0	13.0
50mm	50.00	66.0	70.00	62.0	34.0	13.5
53mm	53.00	69.0	73.00	65.0	34.0	13.5
55mm	55.00	71.0	75.00	67.0	34.0	13.5
58mm	58.00	78.0	78.00	70.0	39.0	13.5
60mm	60.00	80.0	80.00	72.0	39.0	13.5
63mm	63.00	83.0	83.00	75.0	39.0	13.5
65mm	65.00	85.0	85.00	77.0	39.0	13.5
70mm	70.00	88.0	90.00	81.0	39.0	13.5
75mm	75.00	96.0	97.00	88.0	45.5	14.5

SEAL INFORMATION