

## GENERAL PURPOSE SEAL

# M32



### DESIGN FEATURES

- **Rugged And Reliable**  
The Simplicity of the Design accommodates for both misalignment & vibration by combining the versatility of an O-Ring and the reliability of a single coil spring.
- **Chemical Compatibility**  
The wide choice of O-Ring and face material combinations provides excellent compatibility in almost any chemical application.
- **Conical Single Coil Spring**  
Dependent on the shaft rotation, right or left-hand springs provide the seal with positive drive & greater reliability.

### APPLICATIONS

- Capable of handling a wide range of chemicals & abrasive media.
- Suitable for almost all Sectors of Industry: e.g. Waste Water Industry, Food & Beverage Industry and Chemical Industry.
- Water Pumps, Oil Circulating Pumps, Fuel Pumps, Sewage Pumps, Submersible Pumps & Chemical Pumps.

### OPERATING CONDITIONS

- **Pressure**  
≤ 10 Bar. (145 psi)
- **Temperature**  
- 30°C ~ 204°C
- **Shaft Speed**  
≤ 13m/sec

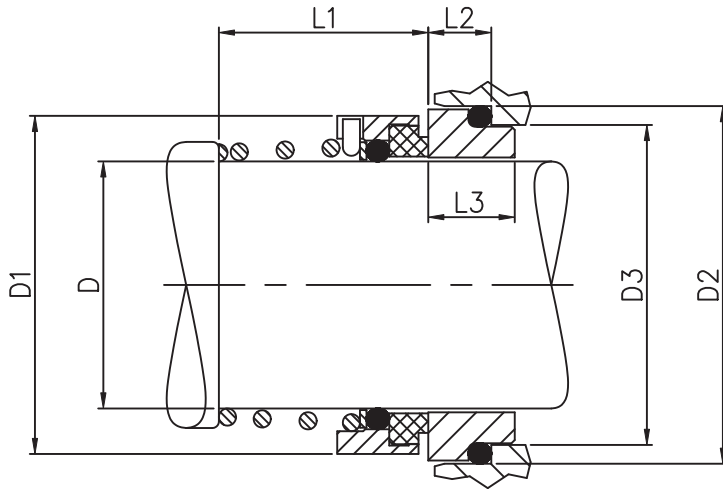
### MATERIAL OPTIONS

- **Retainer/Spring**  
304 SS / 316 SS
- **Rotary Face**  
Carbon, 316 SS, Silicon Carbide & Tungsten Carbide
- **Stationary Face**  
Ceramic, 316 SS, Ni-Resist, Silicon Carbide & Tungsten Carbide
- **Elastomers**  
Nitrile, Viton, Neoprene & EPR

### SIZE RANGE

- **Metric Shaft Size**  
10mm ~ 80mm





### M32 Dimensions

#### STD Seat

#### DIN Seat

SHAFT SIZE	D	D1	L1	D2	D3	L2	L3	D2	D3	L2	L3
10mm	10.00	20.0	15.9	19.20	15.5	5.5	8.6	21.00	17.0	11.6	18.3
12mm	12.00	22.0	17.4	21.60	17.5	5.5	8.1	23.00	19.0	10.1	16.6
14mm	14.00	24.0	17.4	24.60	20.5	6.0	8.1	25.00	21.0	10.1	16.6
15mm	15.00	25.0	17.4	24.60	20.5	7.0	9.1	-	-	-	-
16mm	16.00	26.0	19.0	28.00	22.0	7.0	10.0	27.00	23.0	10.5	17.0
18mm	18.00	28.0	20.5	30.00	24.0	7.0	10.5	33.00	27.0	11.5	18.0
19mm	19.00	33.0	22.0	35.00	29.5	8.0	10.5	-	-	-	-
20mm	20.00	34.0	22.0	35.00	29.5	8.0	10.5	35.00	29.0	11.5	18.5
22mm	22.00	36.0	23.5	35.00	29.5	8.0	10.5	37.00	31.0	11.5	18.0
24mm	24.00	38.0	25.0	38.00	32.0	8.0	10.5	39.00	33.0	11.5	18.0
25mm	25.00	39.0	26.5	38.00	32.0	8.5	10.5	40.00	34.0	11.5	18.0
26mm	26.00	40.0	26.5	40.00	34.0	9.0	11.0	-	-	-	-
28mm	28.00	42.0	26.5	42.00	36.0	9.0	12.0	43.00	37.0	11.5	18.0
30mm	30.00	44.0	25.0	45.00	39.2	9.0	13.5	45.00	39.0	13.0	19.5
32mm	32.00	46.0	28.5	48.00	42.2	11.5	13.5	48.00	42.0	11.5	18.0
33mm	33.00	47.0	28.0	-	-	-	-	48.00	42.0	12.0	18.5
35mm	35.00	49.0	28.5	52.00	46.2	11.5	14.0	50.00	44.0	11.5	18.0
38mm	38.00	52.0	32.2	55.00	49.2	11.5	13.3	56.00	49.0	15.3	22.3
40mm	40.00	56.0	34.7	58.00	52.2	8.0	13.8	58.00	51.0	15.3	22.3
42mm	42.00	58.0	37.3	62.00	53.3	8.0	14.7	-	-	-	-
43mm	43.00	59.0	38.5	-	-	-	-	61.00	54.0	14.0	21.0
45mm	45.00	61.0	39.2	64.00	55.3	8.0	14.3	63.00	56.0	16.3	23.3
48mm	48.00	64.0	44.7	68.40	59.7	8.5	14.3	66.00	59.0	15.3	22.3
50mm	50.00	66.0	45.7	69.30	60.8	9.0	14.3	70.00	62.0	14.3	20.8
53mm	53.00	69.0	47.0	-	-	-	-	73.00	65.0	15.0	21.5
55mm	55.00	71.0	49.0	75.40	66.5	9.0	16.0	75.00	67.0	15.0	21.5
58mm	58.00	77.0	52.0	78.40	69.5	9.0	16.0	78.00	70.0	18.0	25.0
60mm	60.00	79.0	53.0	80.40	71.5	11.5	16.0	80.00	72.0	17.0	24.0
63mm	63.00	82.0	83.0	-	-	-	-	83.00	75.0	14.5	21.5
65mm	65.00	84.0	54.3	85.40	76.5	11.5	15.7	85.00	77.0	15.7	22.7
68mm	68.00	87.0	55.3	91.50	82.7	11.5	16.7	90.00	81.0	17.7	24.7
70mm	70.00	89.0	56.3	92.00	83.0	9.0	15.7	92.00	83.0	23.7	30.7
75mm	75.00	94.0	56.3	99.00	90.2	11.5	16.7	97.00	88.0	23.7	30.7
80mm	80.00	99.0	59.3	104.00	95.2	11.5	17.7	105.00	95.0	20.7	27.7

### Seat Options

