

DESIGN FEATURES

- **Simple And Reliable**
The simplicity of the design accommodates for both misalignment & vibration by combining the versatility of an O-Ring and the reliability of a single coil spring.
- **Compatibility**
The wide choice of O-Ring and face material combinations provides excellent compatibility in almost any application.
- **Spring Driven**
Uni-Directional tapered single coil spring provides the seal with positive drive & greater reliability.

APPLICATIONS

- Capable of handling a wide range of applications.
- Suitable for almost all Sectors of Industry: e.g. Waste Water Industry, Food & Beverage Industry and Chemical Industry.
- Water Pumps, Circulation Pumps, Fuel Pumps, Sewage Pumps, Submersible Pumps & Chemical Pumps.

OPERATING CONDITIONS

- **Pressure**
≤ 10 Bar. (145 psi)
- **Temperature**
- 30°C ~ 204°C
- **Shaft Speed**
≤ 13m/sec

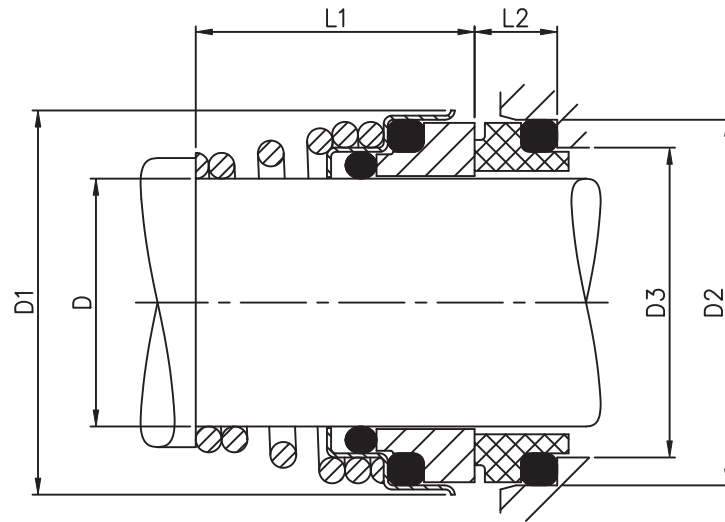
MATERIAL OPTIONS

- **Retainer/Spring**
302 SS / 304 SS
- **Rotary Face**
Ceramic, Carbon, Silicon Carbide & Tungsten Carbide
- **Stationary Face**
Carbon, Ceramic, Silicon Carbide & Tungsten Carbide
- **Elastomers**
Nitrile, Viton, Neoprene & EPR

SIZE RANGE

- **Metric Shaft Size**
10mm ~ 40mm



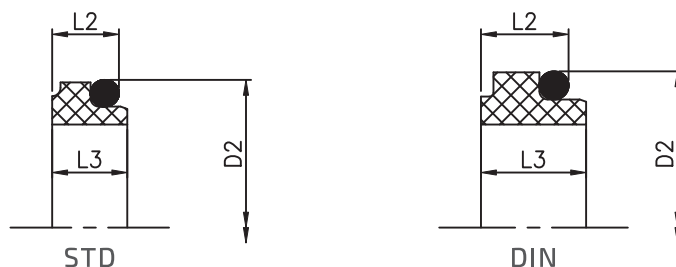


R3 Dimensions

SHAFT SIZE	D	D1	L1	STD Seat				DIN Seat			
				D2	D3	L2	L3	D2	D3	L2	L3
10mm	10.00	20.0	15.0	18.10	14.0	5.5	7.0	21.00	14.0	7.0	9.5
11mm	11.00	22.0	18.0	20.60	16.5	5.5	7.0	-	-	-	-
12mm	12.00	22.0	18.0	20.60	16.5	5.5	7.0	23.00	16.5	7.0	9.5
13mm	13.00	25.0	22.0	23.10	19.0	6.0	7.5	-	-	-	-
* 14mm	14.00	25.0	20.0	23.10	19.0	6.0	7.5	-	-	-	-
14mm	14.00	25.0	22.0	23.10	19.0	6.0	7.5	25.00	21.0	7.0	9.5
15mm	15.00	27.8	22.0	26.90	21.0	7.0	8.5	-	-	-	-
16mm	16.00	28.7	23.0	26.90	21.0	7.0	8.5	27.00	23.0	7.0	9.5
17mm	17.00	28.7	23.0	26.90	21.0	7.0	8.5	-	-	-	-
18mm	18.00	32.7	24.0	30.90	25.0	8.0	9.5	33.00	27.0	10.0	12.5
19mm	19.00	32.7	25.0	30.90	25.0	8.0	9.5	-	-	-	-
20mm	20.00	32.7	25.0	30.90	25.0	8.0	9.5	35.00	29.0	10.0	12.5
22mm	22.00	37.2	25.0	35.40	30.0	8.0	9.5	37.00	31.0	10.0	12.5
24mm	24.00	37.2	27.0	35.40	30.0	8.0	9.5	39.00	33.0	10.0	12.5
25mm	25.00	40.0	27.0	38.20	33.0	8.5	10.0	40.00	34.0	10.0	12.5
28mm	28.00	45.0	29.0	43.30	38.0	9.0	10.5	43.00	37.0	10.0	13.0
30mm	30.00	45.0	30.0	43.30	38.0	9.0	10.5	45.00	39.0	10.0	13.0
32mm	32.00	45.5	30.0	43.30	38.0	9.0	10.5	48.00	42.0	10.0	13.0
33mm	33.00	49.5	39.0	-	-	-	-	48.00	42.0	10.0	13.0
35mm	35.00	49.5	39.0	53.50	45.0	11.5	13.0	50.00	44.0	10.0	13.0
38mm	38.00	58.2	39.0	60.50	52.0	11.5	13.0	56.00	49.0	16.0	19.0
40mm	40.00	58.2	39.0	60.50	52.0	11.5	13.0	58.00	51.0	16.0	19.0

* = Special Shorter Rotary Working Length

Seat Options



SEAL INFORMATION