

GENERAL PURPOSE SEAL T21



DESIGN FEATURES

- **Self Aligning**
Compensates for irregular shaft end play and run-out, seal face wear and equipment tolerances, leading to improved service life.
- **Mechanical Drive**
The drive band's design reduces stressing in the rubber bellows, eliminating slippage and protecting the shaft and sleeve from wear.
- **Non-Clogging, Single Coil Spring**
Provides greater reliability than multi spring designs, preventing the build-up of solids & decreasing the chances of seal hang-up.

APPLICATIONS

- Centrifugal, Hydraulic, Rotary & Turbine Pumps.
- Compressors, Chillers, Mixers, Agitators, Blenders & Other Rotary Shaft Equipment.
- Industrial, Food Processing, Waste Water Treatment, Fire Services & Other General Applications.

OPERATING CONDITIONS

- **Pressure**
≤ 10 Bar. (145 psi)
- **Temperature**
- 35°C ~ 205°C
- **Shaft Speed**
≤ 10m/sec

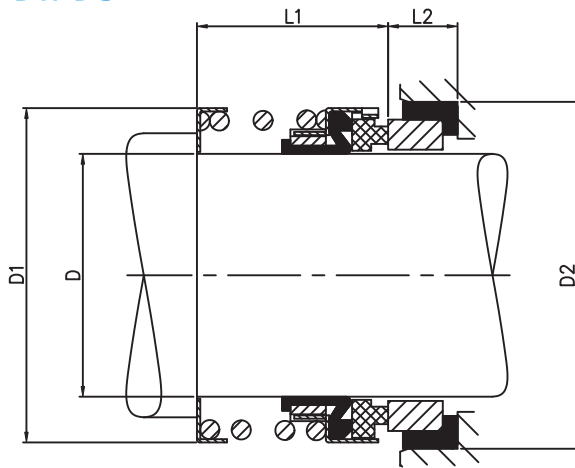
MATERIAL OPTIONS

- **Retainer/Spring**
302 SS / 304 SS / 316 SS
- **Rotary Face**
Carbon, Silicon Carbide & Tungsten Carbide
- **Stationary Face**
Ceramic, 316 SS, Ni-Resist, Silicon Carbide & Tungsten Carbide
- **Elastomers**
Nitrile, Viton & EPDM

SIZE RANGE

- **Imperial Shaft Size**
0.375" ~ 3.000"
- **Metric Shaft Size**
12mm ~ 75mm





T21 Dimensions

Imperial

Metric

SHAFT SIZE	D	D1	D2	L1	L2
0.375" (3/8")	9.53	20.6	22.20	22.2	6.3
0.500" (1/2")	12.70	23.0	25.40	22.2	8.0
0.625" (5/8")	15.88	26.7	31.75	22.2	10.3
0.750" (3/4")	19.05	30.5	34.90	22.2	10.3
0.875" (7/8")	22.23	33.6	38.10	24.0	11.0
1.000" (1")	25.40	39.5	41.30	25.4	11.0
1.125" (1 1/8")	28.58	43.7	44.45	27.0	11.0
1.250" (1 1/4")	31.75	46.2	47.60	27.0	11.0
1.375" (1 3/8")	34.93	50.8	50.80	28.5	11.0
1.500" (1 1/2")	38.10	54.2	54.10	28.5	11.0
1.625" (1 5/8")	41.28	57.7	60.30	35.0	12.7
1.750" (1 3/4")	44.45	61.2	63.50	35.0	12.7
1.875" (1 7/8")	47.63	65.2	66.65	38.0	12.7
2.000" (2")	50.80	70.5	69.85	38.0	12.7
2.125" (2 1/8")	53.98	75.0	76.20	43.0	14.3
2.250" (2 1/4")	57.15	79.0	79.40	43.0	14.3
2.375" (2 3/8")	60.33	82.0	82.55	46.0	14.3
2.500" (2 1/2")	63.50	86.7	85.70	46.0	14.3
2.625" (2 5/8")	66.68	86.8	85.70	49.0	16.0
2.750" (2 3/4")	69.85	94.7	88.90	49.0	16.0
2.875" (2 7/8")	73.03	97.0	95.25	52.5	16.0
3.000" (3")	76.20	99.0	98.40	52.5	16.0

SHAFT SIZE	D	D1	D2	L1	L2
12mm	12.00	22.0	26.00	17.5	6.5
14mm	14.00	26.5	28.00	18.0	7.0
15mm	15.00	26.5	28.00	18.0	7.0
16mm	16.00	26.7	27.00	25.7	10.3
18mm	18.00	30.5	33.00	27.2	10.3
20mm	20.00	33.6	35.00	27.2	10.3
22mm	22.00	33.6	37.00	27.2	10.3
24mm	24.00	39.5	39.00	29.0	11.0
25mm	25.00	39.5	40.00	29.0	11.0
28mm	28.00	43.7	43.00	31.5	11.0
30mm	30.00	46.2	45.00	31.5	11.0
32mm	32.00	46.2	48.00	31.5	11.0
33mm	33.00	49.7	48.00	31.5	11.0
35mm	35.00	50.8	50.00	31.5	11.0
38mm	38.00	54.2	56.00	34.0	11.0
40mm	40.00	57.7	58.00	32.3	12.7
43mm	43.00	61.2	61.00	32.3	12.7
45mm	45.00	61.2	63.00	32.3	12.7
48mm	48.00	65.2	66.00	32.3	12.7
50mm	50.00	70.5	70.00	34.8	12.7
53mm	53.00	75.0	73.00	33.3	14.3
55mm	55.00	79.0	75.00	33.3	14.3
58mm	58.00	82.0	78.00	38.3	14.3
60mm	60.00	86.7	80.00	38.3	14.3
65mm	65.00	86.8	85.00	36.0	16.0
70mm	70.00	94.7	92.00	44.0	16.0
75mm	75.00	99.0	97.00	44.0	16.0

Seat Options

