

## GENERAL PURPOSE SEAL

# T2100



### DESIGN FEATURES

- **Self Aligning**  
Compensates for irregular shaft end play and run-out, seal face wear and equipment tolerances, leading to improved service life.
- **Mechanical Drive**  
Drive band design and intermeshing tangs provide positive drive to the seal face. Reducing stressing in the rubber bellows and eliminating slippage.
- **Non-Clogging Single Coil Spring**  
Provides greater reliability than multi spring designs, preventing the build-up of solids & decreasing the chances of seal hang-up.

### APPLICATIONS

- Used in high performance / high pressure general services applications.
- Centrifugal, Rotary & Turbine Pumps, Compressors, Chillers, Mixers, Agitators, Blenders & Other Rotary Shaft Equipment.
- Suitable for almost all Sectors of Industry.

### OPERATING CONDITIONS

- **Pressure**  
≤ 20 Bar. (290 psi)
- **Temperature**  
- 40°C ~ 204°C
- **Shaft Speed**  
≤ 15m/sec

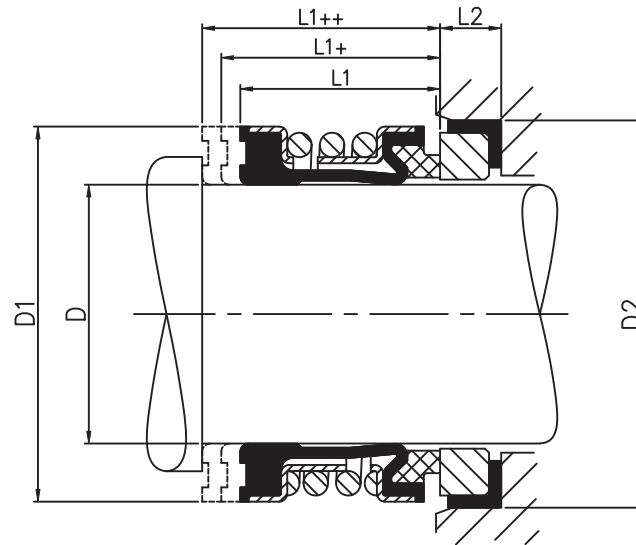
### MATERIAL OPTIONS

- **Retainer/Spring**  
302 SS / 304 SS
- **Rotary Face**  
Carbon & Silicon Carbide
- **Stationary Face**  
Ceramic, 316 SS, Ni-Resist, & Silicon Carbide
- **Elastomers**  
Nitrile, Viton & Ethylene Propylene

### SIZE RANGE

- **Imperial Shaft Size**  
0.375" ~ 3.750"
- **Metric Shaft Size**  
10mm ~ 100mm





## T2100 Dimensions

Imperial

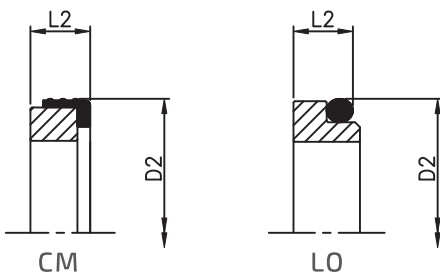
Metric

SHAFT SIZE	D	D1	L1	L1+
0.375" (3/8")	9.53	20.0	15.0	-
0.500" (1/2")	12.70	24.0	15.0	20.6
0.625" (5/8")	15.88	26.0	15.0	22.2
0.750" (3/4")	19.05	32.0	20.0	22.2
0.875" (7/8")	22.23	36.0	20.0	23.8
1.000" (1")	25.40	39.0	20.0	25.4
1.125" (1 1/8")	28.58	42.0	26.0	27.0
1.250" (1 1/4")	31.75	46.0	26.0	27.0
1.375" (1 3/8")	34.93	49.0	26.0	28.6
1.500" (1 1/2")	38.10	54.0	30.0	30.1
1.625" (1 5/8")	41.28	56.0	30.0	34.9
1.750" (1 3/4")	44.45	61.0	30.0	34.9
1.875" (1 7/8")	47.63	64.0	30.0	38.1
2.000" (2")	50.80	66.0	30.0	38.1
2.125" (2 1/8")	53.98	69.0	30.0	42.8
2.250" (2 1/4")	57.15	77.0	33.0	42.8
2.375" (2 3/8")	60.33	80.0	33.0	46.0
2.500" (2 1/2")	63.50	83.0	33.0	46.0
2.750" (2 3/4")	69.85	89.0	33.0	-
3.000" (3")	76.20	99.0	40.0	-
3.250" (3 1/4")	82.55	104.0	40.0	-
3.500" (3 1/2")	88.90	112.0	40.0	-
3.750" (3 3/4")	95.25	118.0	40.0	-

SHAFT SIZE	D	D1	D2	L1	L1+	L1++	L2
10mm	10.00	20.0	21.00	15.0	27.5	35.0	5.5
12mm	12.00	22.0	23.00	15.0	26.5	34.0	5.5
14mm	14.00	24.0	25.00	15.0	29.0	34.0	5.5
15mm	15.00	25.0	26.00	15.0	29.0	34.0	5.5
16mm	16.00	26.0	27.00	15.0	29.0	34.0	5.5
18mm	18.00	32.0	33.00	20.0	31.5	39.0	7.0
20mm	20.00	34.0	35.00	20.0	31.5	39.0	7.0
22mm	22.00	36.0	37.00	20.0	31.5	39.0	7.0
24mm	24.00	38.0	39.00	20.0	34.0	44.0	7.0
25mm	25.00	39.0	40.00	20.0	34.0	44.0	7.0
28mm	28.00	42.0	43.00	26.0	36.5	44.0	7.0
30mm	30.00	44.0	45.00	26.0	35.5	43.0	7.0
32mm	32.00	46.0	48.00	26.0	35.5	48.0	7.0
33mm	33.00	47.0	48.00	26.0	35.5	48.0	7.0
35mm	35.00	49.0	50.00	26.0	34.5	47.0	7.0
38mm	38.00	54.0	56.00	30.0	37.0	47.0	8.0
40mm	40.00	56.0	58.00	30.0	37.0	47.0	8.0
43mm	43.00	59.0	61.00	30.0	37.0	52.0	8.0
45mm	45.00	61.0	63.00	30.0	37.0	52.0	8.0
48mm	48.00	64.0	66.00	30.0	35.0	50.0	8.0
50mm	50.00	66.0	70.00	30.0	37.5	50.0	8.5
53mm	53.00	69.0	73.00	30.0	37.5	60.0	8.5
55mm	55.00	71.0	75.00	30.0	37.5	60.0	8.5
60mm	58.00	80.0	80.00	33.0	40.5	58.0	8.5
63mm	60.00	83.0	83.00	33.0	40.5	58.0	8.5
65mm	65.00	85.0	85.00	33.0	40.5	68.0	8.5
70mm	70.00	90.0	92.00	33.0	48.0	68.0	9.5
75mm	75.00	99.0	97.00	40.0	48.0	68.0	9.5
80mm	80.00	104.0	105.00	40.0	47.5	77.5	10.0
85mm	85.00	109.0	110.00	40.0	47.5	77.5	10.0
90mm	90.00	114.0	115.00	40.0	52.5	77.5	10.0
100mm	100.00	124.0	125.00	40.0	52.5	77.5	10.0

\* L1+ = Interchangeable with T21 Standard Seal

### Seat Options



\* L1+ = DIN L1K Working Length \* L1++ = DIN L1N Working Length