

## DESIGN FEATURES

- **Simple And Compact**  
Simple design and compact working length allows for installation in a wide variety of pumps where axial space is limited.
- **Reliable & Durable**  
The enclosed flexible rubber bellows design, protecting the shaft along the whole length of the seal, ensures reliable and durable sealing in robust operating conditions.
- **Design Limitation**  
The compact design limits the spring cross-section which can lead to spring failure when exposed to high chemical concentration and water high in salinity.

## APPLICATIONS

- General Domestic & Industrial applications: e.g. Food & Beverage Processing, Waste Water Treatment, Fire Services and Water Transfer.
- Pool Pumps, Clean Water Pumps, Circulatory Pumps, Trash Pumps, Sewage Pumps, Submersible Pumps.

## OPERATING CONDITIONS

- **Pressure**  
≤ 6 Bar. (87 psi)
- **Temperature**  
- 30°C ~ 100°C
- **Shaft Speed**  
≤ 12m/sec

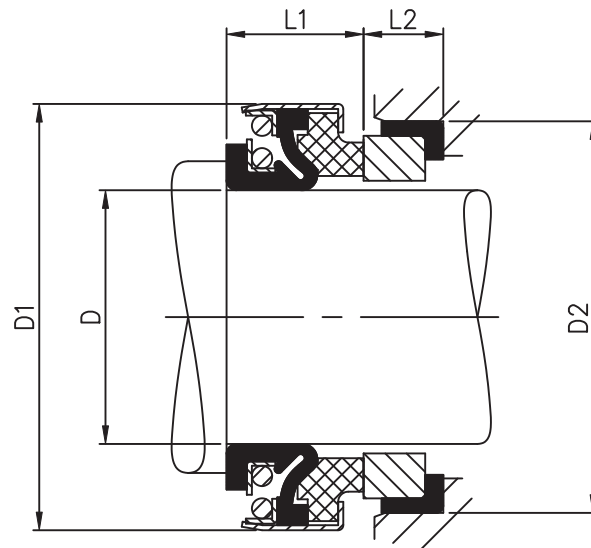
## MATERIAL OPTIONS

- **Retainer/Spring**  
302 SS / 304 SS
- **Rotary Face**  
Carbon, Silicon Carbide & Tungsten Carbide
- **Stationary Face**  
Ceramic, 316 SS, Silicon Carbide & Tungsten Carbide
- **Elastomers**  
Nitrile

## SIZE RANGE

- **Metric Shaft Size**  
6mm ~ 60mm
- **Imperial Shaft Size**  
0.375" ~ 1.000"





### T55 Dimensions

#### Metric DR

SHAFT SIZE	D	D1	D2	L1	L2
6mm	6.00	18.0	22.00	11.0	4.0
8mm	8.00	18.0	22.00	11.0	4.0
10mm	10.00	24.0	26.00	13.0	8.0
11mm	11.00	24.0	26.00	13.0	8.0
12mm	12.00	24.0	26.00	13.0	8.0
13mm	13.00	24.0	26.00	13.0	8.0
14mm	14.00	32.0	29.50	13.5	7.5
15mm	15.00	32.0	29.50	13.5	7.5
16mm	16.00	32.0	29.50	13.5	7.5
17mm	17.00	39.0	42.00	13.0	8.0
18mm	18.00	39.0	42.00	13.0	8.0
19mm	19.00	39.0	42.00	13.0	8.0
20mm	20.00	39.0	42.00	13.0	8.0
22mm	22.00	42.0	45.00	13.0	10.0
23mm	23.00	47.0	50.00	13.5	10.0
24mm	24.00	47.0	50.00	13.5	10.0
25mm	25.00	47.0	45.00	13.5	10.0
26mm	26.00	47.0	50.00	13.5	10.0
27mm	27.00	47.0	50.00	13.5	10.0
28mm	28.00	54.0	57.00	15.0	10.0
30mm	30.00	54.0	57.00	15.0	10.0
32mm	32.00	54.0	57.00	15.0	10.0
35mm	35.00	60.0	63.00	16.0	10.0
38mm	38.00	65.0	68.00	18.0	12.0
40mm	40.00	65.0	68.00	18.0	12.0
45mm	45.00	70.0	73.00	20.0	12.0
50mm	50.00	85.0	88.00	23.0	15.0
55mm	55.00	85.0	88.00	23.0	15.0
60mm	60.00	105.0	110.00	30.0	15.0

#### Metric PR

SHAFT SIZE	D	D1	D2	L1	L2
14mm	14.00	27.5	28.50	13.0	8.0
15mm	15.00	27.5	30.00	13.0	8.0
16mm	16.00	27.5	30.00	13.0	8.0
20mm	20.00	35.0	38.00	13.0	8.0
22mm	22.00	39.0	42.00	13.0	8.0
25mm	25.00	42.0	50.00	13.0	10.0

#### Imperial

SHAFT SIZE	D	D1	D2	L1	L2
0.375" (3/8")	9.53	24.0	22.20	16.7	6.3
0.500" (1/2")	12.70	24.0	25.40	18.3	8.0
0.625" (5/8")	15.88	32.0	31.75	18.3	10.3
0.750" (3/4")	19.05	32.0	34.95	18.3	10.3
1.000" (1")	25.40	42.0	41.30	20.7	11.0

*Interchangeable with T16 Standard Seal*

#### Special

SHAFT SIZE	D	D1	D2	L1	L2
12mm	12.00	24.0	26.00	13.0	5.5
13mm	13.00	24.0	26.00	13.0	5.5
* 14mm	14.00	27.5	25.00	13.0	7.7
14mm	14.00	27.5	26.00	13.0	5.5
14mm	14.00	27.5	28.50	13.0	7.5
14mm	14.00	27.5	29.50	13.0	8.0
* 16mm	16.00	32.0	27.00	13.5	8.0
20mm	20.00	35.0	35.00	13.0	8.0
22mm	22.00	42.0	50.00	13.0	10.0

\* = Supplied with LO Seat as Standard