

# GENERAL PURPOSE SEAL T68 - T68B - T68U



## DESIGN FEATURES

- **Rubber Bellows**  
Maximum flexibility provided by the rubber bellows, allows the seal to compensate for shaft movement and wear.
- **Press Metal Housing**  
The direct drive of the press metal housing provides superior performance in higher speed applications.
- **Single Coil Spring**  
Provides greater reliability by providing constant face loading under a multitude of seal conditions.

## APPLICATIONS

- Recommended for low pressure services on general light duty industrial applications.
- Water Pumps, Circulatory Pumps, Jet Pumps & Swimming Pool Pumps.
- Garbage Disposal Units, Domestic & Commercial Washing Machines & Automotive Water Pumps.

## OPERATING CONDITIONS

- **Pressure**  
External  $\leq 5$  Bar. (75 psi)  
Internal  $\leq 1.4$  Bar. (20 psi)
- **Temperature**  
- 40°C ~ 204°C
- **Shaft Speed**  
 $\leq 8$ m/sec

## MATERIAL OPTIONS

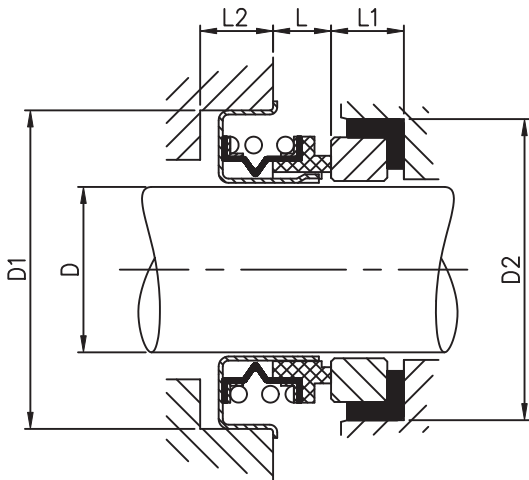
- **Retainer / Spring**  
302 SS / 304 SS / 316 SS
- **Rotary Face**  
Carbon & Silicon Carbide
- **Stationary Face**  
Ceramic, 316 SS, Ni-Resist & Silicon Carbide
- **Elastomers**  
Nitrile & Viton

## SIZE RANGE

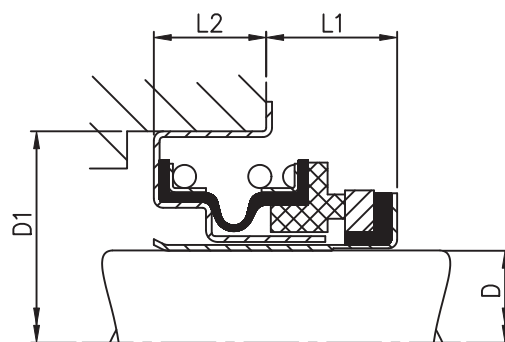
- **Imperial Shaft Size**  
0.312" ~ 1.125"



## T68 Dimensions



SHAFT SIZE	D	D1	D2	L	L1	L2
0.375" (3/8")	9.53	28.58	22.22	1.7	4.1	8.7
0.500" (1/2")	12.70	28.58	25.40	5.2	6.4	8.9
0.500" (1/2")	12.70	30.10	24.00	5.2	6.4	8.9
0.500" (1/2")	12.70	30.30	25.00	6.4	5.0	8.9
0.625" (5/8")	15.88	36.50	31.75	6.8	10.3	8.9
0.625" (5/8")	15.88	36.50	38.10	6.8	6.4	8.9
0.625" (5/8")	15.88	36.50	31.00	6.8	5.5	8.9
0.625" (5/8")	15.88	36.50	26.30	5.8	5.5	8.9
0.750" (3/4")	19.05	40.00	34.95	6.8	10.3	9.7
0.750" (3/4")	19.05	40.00	35.00	6.8	5.0	9.7
0.750" (3/4")	19.05	40.00	38.10	6.8	6.4	9.7
20mm	20.00	40.00	31.75	6.8	9.0	9.7
1.000" (1")	25.40	47.00	41.30	8.0	11.0	10.0
1.125" (1 1/8")	28.58	52.00	48.00	7.5	8.5	11.0

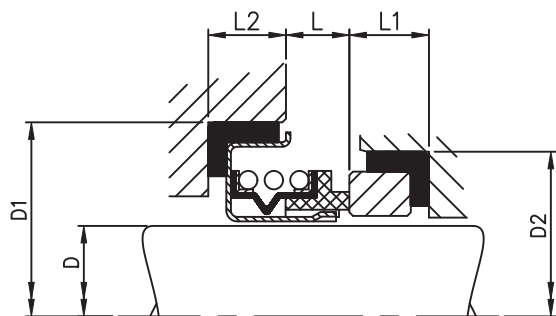


## T68U Dimensions

SHAFT SIZE	D	D1	L1	L2
12mm	12.00	28.58	8.9	8.7
12mm	12.00	30.00	8.9	8.7
12mm	12.00	33.30	8.9	8.7
0.500" (1/2")	12.70	28.58	8.9	8.7
0.500" (1/2")	12.70	30.00	8.9	8.7
0.500" (1/2")	12.70	33.30	10.8	8.7
0.625" (5/8")	15.88	36.50	10.8	8.7
15mm	15.00	36.50	10.8	8.7
0.625" (5/8")	15.88	38.10	10.8	8.7
0.625" (5/8")	15.88	38.50	10.8	8.7
0.625" (5/8")	15.88	39.40	10.8	8.7
0.625" (5/8")	15.88	30.00	8.9	8.7

## T68B Dimensions

SHAFT SIZE	D	D1	D2	L	L1	L2
0.500" (1/2")	12.70	32.50	25.00	5.2	5.0	9.0
0.625" (5/8")	15.88	41.28	31.75	6.8	9.0	10.0
0.750" (3/4")	19.05	45.00	35.00	6.8	5.0	11.5
1.000" (1")	25.40	52.00	41.30	8.0	11.0	12.0
1.125" (1 1/8")	28.58	58.00	48.00	7.5	8.5	12.5



SEAL INFORMATION