

# GENERAL PURPOSE SEAL

## T16 - T16 Pac



### DESIGN FEATURES

- **Rubber Bellows**  
Maximum flexibility provided by the rubber bellows, allows the seal to compensate for shaft movement and wear.
- **Rubber Drive Band**  
The rubber drive band grips the shaft to provide both sealing and drive, eliminating the need for grub screws and drive pins.
- **Non-Clogging Single Coil Spring**  
Provides greater reliability by preventing the build-up of solids & decreasing the chances of seal hang-up.

### APPLICATIONS

- Recommended for low pressure services on general light duty industrial applications.
- Water Pumps, Circulatory Pumps, Jet Pumps & Swimming Pool Pumps.
- Garbage Disposal Units, Domestic & Commercial Washing Machines & Automotive Water Pumps.

### OPERATING CONDITIONS

- **Pressure**  
≤ 7 Bar. (100 psi)
- **Temperature**  
- 40°C ~ 100°C
- **Shaft Speed**  
≤ 5m/sec

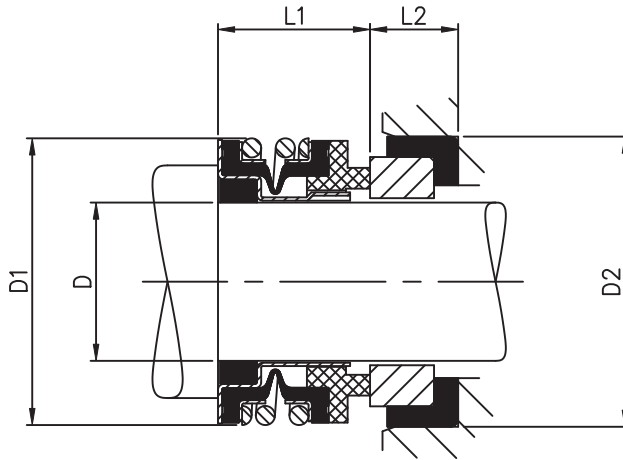
### MATERIAL OPTIONS

- **Retainer / Spring**  
302 SS / 304 SS / 316 SS
- **Rotary Face**  
Carbon & Silicon Carbide
- **Stationary Face**  
Ceramic, 316 SS, Ni-Resist & Silicon Carbide
- **Elastomers**  
Nitrile & Viton

### SIZE RANGE

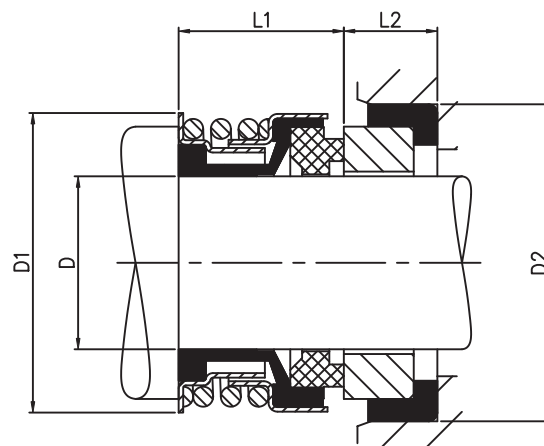
- **Imperial Shaft Size**  
0.375" ~ 1.000"
- **Metric Shaft Size**  
12mm ~ 14mm





### T16 Dimensions

SHAFT SIZE	D	D1	D2	L1	L2
0.375" (3/8")	9.53	24.0	22.22	16.7	6.3
0.500" (1/2")	12.70	27.3	25.40	18.3	8.0
0.625" (5/8")	15.88	31.3	31.75	18.3	10.3
0.625" (5/8")	15.88	31.3	30.00	18.3	8.5
0.625" (5/8")	15.88	31.3	38.10	18.3	6.4
0.625" (5/8")	15.88	31.3	39.00	18.3	7.0
0.750" (3/4")	19.05	34.3	34.95	18.3	10.3
0.750" (3/4")	19.05	34.3	38.10	18.3	6.4
1.000" (1")	25.40	43.5	41.30	20.7	11.0



### T16 Pac Dimensions

SHAFT SIZE	D	D1	D2	L1	L2
12mm	12.00	23.3	24.00	16.3	4.5
14mm	14.00	30.4	30.00	18.6	8.5
0.750" (3/4")	19.05	33.0	34.95	18.3	10.3